

CHERNG HORNG MACHINERY CO., LTD.

CLY-800LDD

FULLY AUTOMATIC SOFT LOOP HANDLE, DIE CUT AND DRAW TAPE BAG MAKING MACHINE.
(SERVO MOTOR SYSTEM)



SPECIFICATION		
MODEL		CLY-800LDD
Bag Size	Width (mm)	250 - 650
	Length (mm)	250 - 650
	Top Folding (mm)	70 - 75
	Bottom Gusset (mm)	up to 85
Max. Output	Soft Loop Handle,	100 Pcs/Min
	Die Cut Bag	80 Pcs/Min
	Draw Tape Bag	80 Pcs/Min
Thickness of Film (mm)		0.05 - 0.10
Power Required (KW)		8.8
Machine Dimension (M) (L x W x H)		7.6 x 3.2 x 1.85
Machine Weight (KG)		3500
Air Compressor (HP) **(not included)		7.5

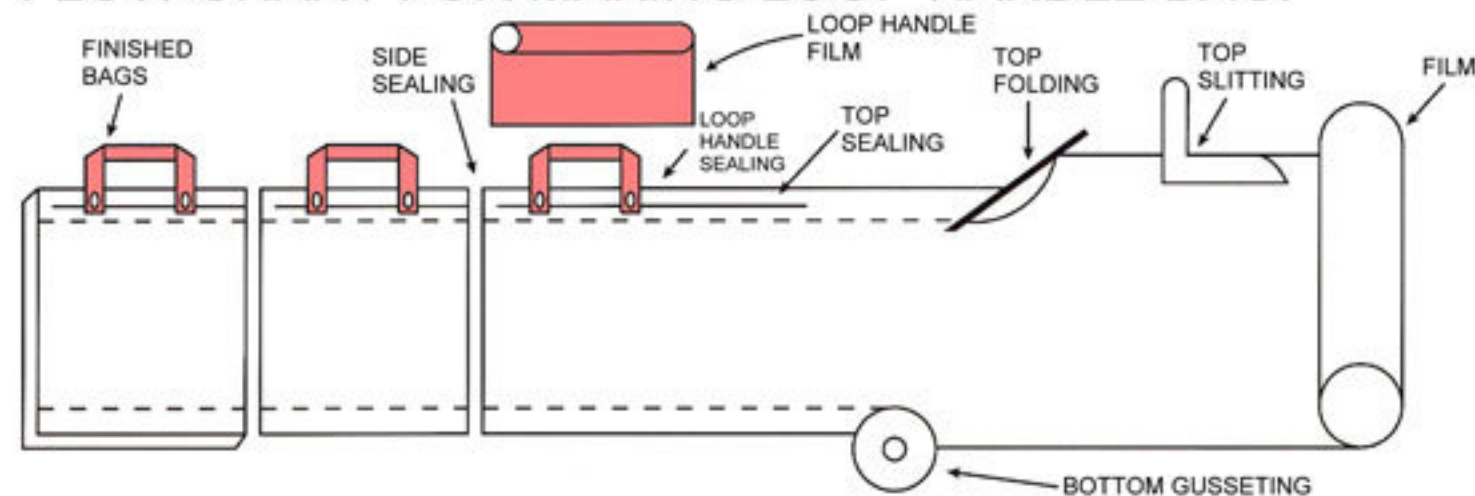
* Specification subject to change without notice.

CHERNG HORNG MACHINERY CO., LTD.

E-mail : extruder@ms8.hinet.net

Website : <http://www.extruder.com.tw>

FLOW CHART FOR MAKING LOOP HANDLE BAG:



AUTO STACKER WITH CONVEYOR

1. For the production of loop handle bag: The conveyor belt will move slowly when producing the loop handle bag, the finished bags will fall in line for easy collection.

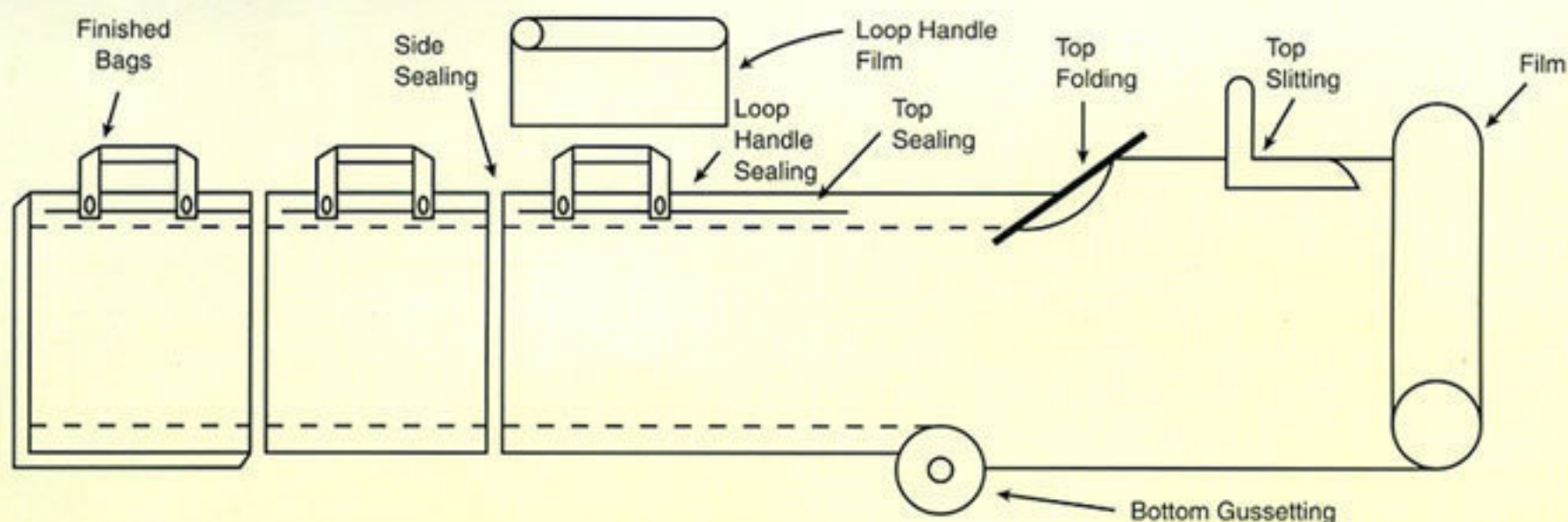
2. For the production of die cut handle bag & draw tape bag: Auto stacker is equipped with conveyor belt to deliver the finished bag in stack. The finished bag is pcs by is pcs by pcs overlap on the conveyor table. The machine will stop automatically until reach to the number that you have pre-set, and then the conveyor belt will move again automatically for next stack. The number of the bags in each stack can be set by pre-set counter.

MESA COLECTORA AUTOMATICA

En cuando producimos las bolsas de asa de lazo suave, la cinta corredora se movera automaticamente y en forma lenta, para que las bolsas vayan acomodandose una tras otra, para facilitar en el momento de coleccionar. En cuando producimos las bolsas de manijas parcheadas, la mesa coleccionadora estara programada la cantidad de bolsas a juntar en cada bloque, y luego la cinta corredora mediante lo programado, efectuara cade coleccionada en la cantidad programada por bloque y la maquina de producir las bolsas se parara de funcionar por momento y esperara de que la cinta corredora moviera para adelante (como dar un paso, para dar lugar al proximo bloque), y la maquina proseguira su proceso de produccion.



FLOW CHART FOR MAKING LOOP HANDLE BAG:



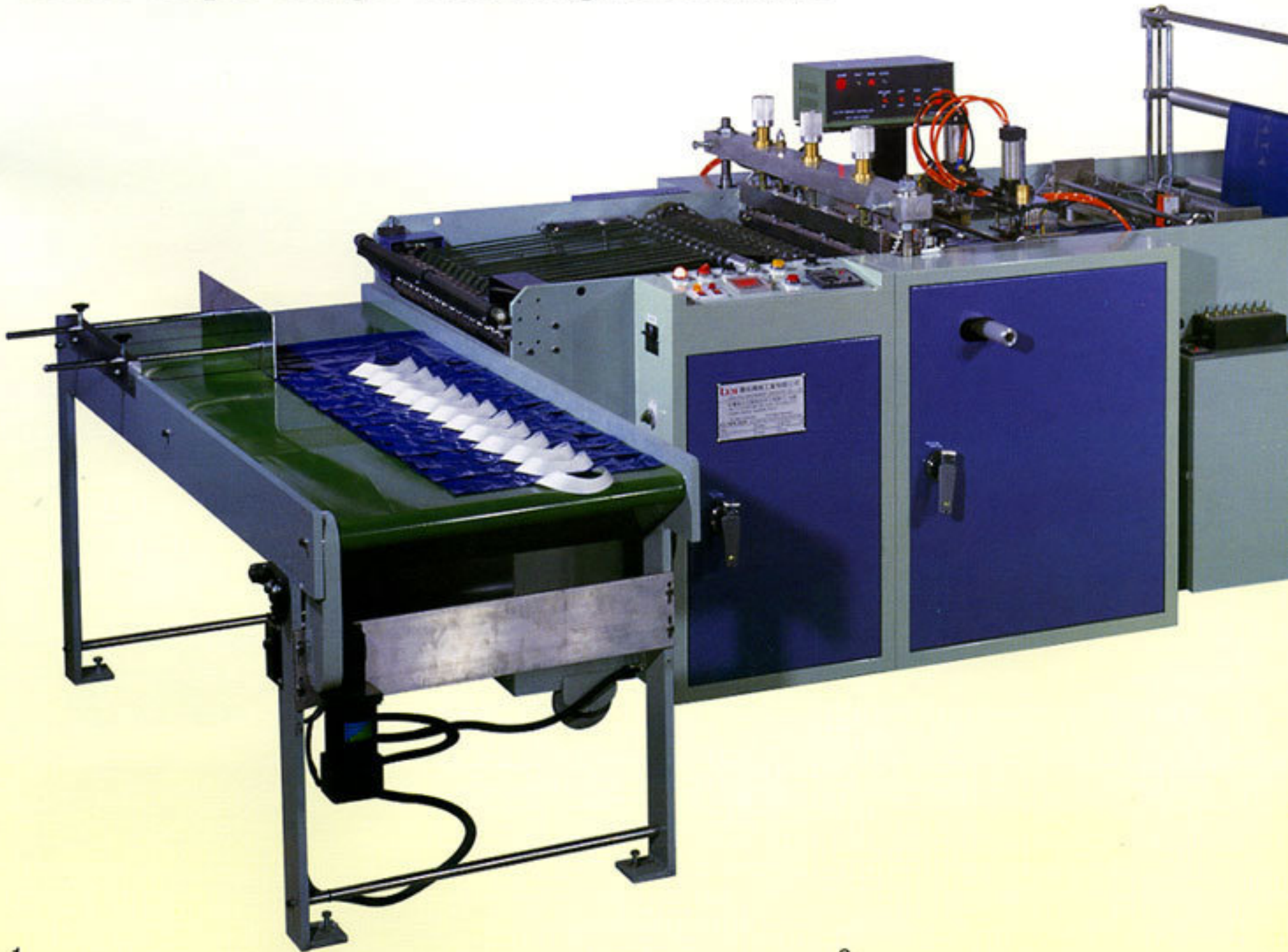
Model	Bag Size				Max. Production Speed Cycles/Min	Thickness of Film (mm)	Heaters	Power Required	Machine Dimensions			Machine Weight (KG)	Packing Size(M)	Gross Weight (KG)	Air Compressor (not Included)
	Width	Length	Top Folding	Bottom Gusseting					L (M)	W (M)	H (M)				
CLY-800LDD	250mm-650mm	250mm-650mm	70mm-75mm	up to 85mm	40-80	0.045-0.09	2.2KW x 1 0.8KW x 2 0.3KW x 4 0.4KW x 4	8.8KW	7.6	3.2	1.85	3500	5.8x2x2	5,000	5HP

NOTES: DUE TO CONTINUAL RESEARCH AND IMPROVEMENT, MECHANICAL SPECIFICATIONS ARE SUBJECT TO FURTHER REVISION WITHOUT PRIOR NOTICE.

NOTAS: DEBIDO A LA CONTINUA INVESTIGACIÓN Y PROGRESO, ESPECIFICACIONES MECANICAS SON SOMETIDAS A REVSIÓN SIN PREVIO AVISO.

CLY-800LDD

Fully automatic Loop handle, die cut handle & draw tape bags making machine



1



LOOP HANDLE BAG

1: Loop handle bag is a shopping bag with plastic strip handles attached to the top folding & top sealing area by means of heat-sealing.

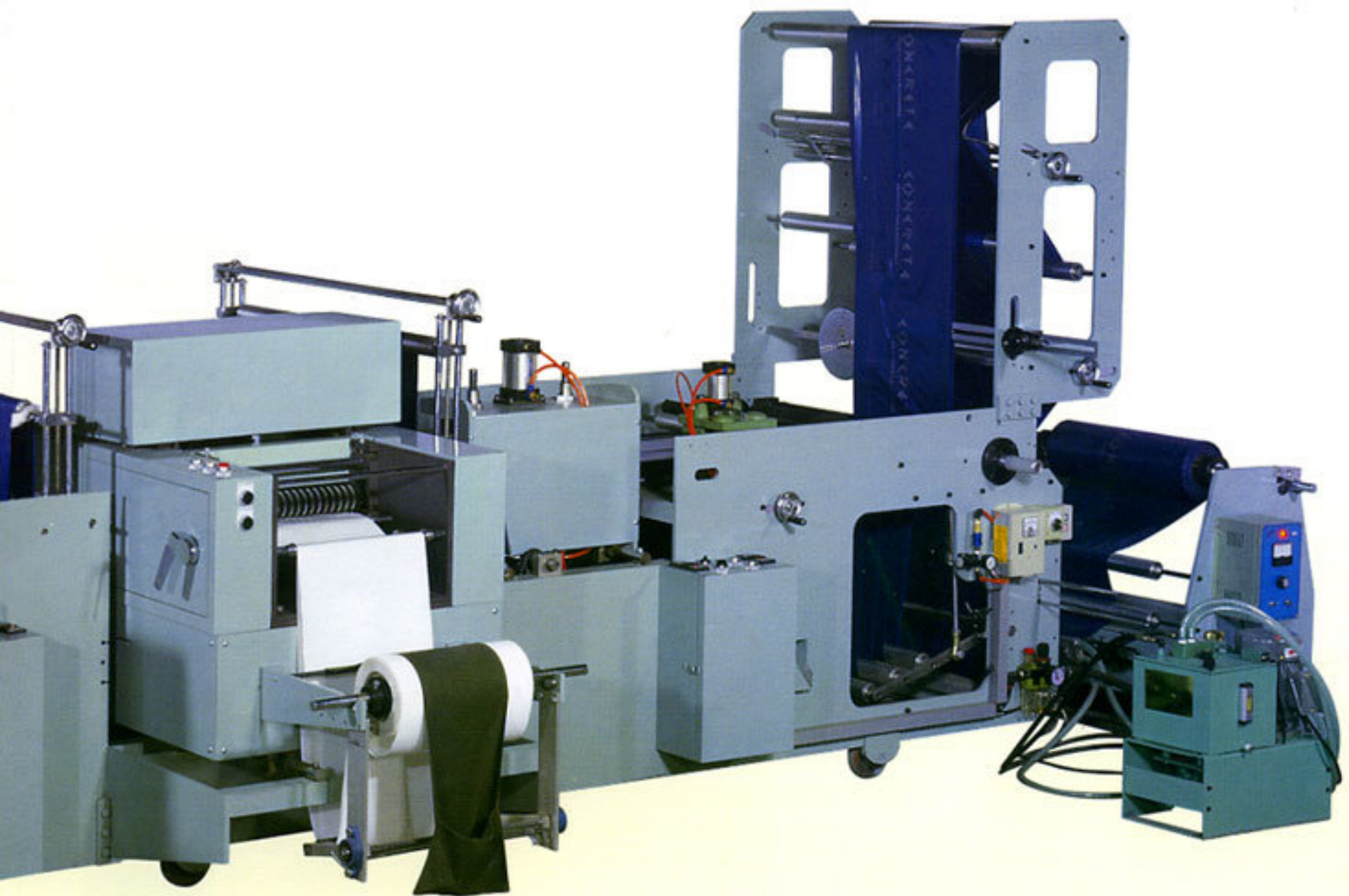
1: Bolsa de manija de lazo suave es una bolsa en la cual la manija es hecha de cinta de plástico flexible con un dobles sencillo en la parte superior interior, con/sin cuchillada de fondo.

2



DIE CUT HANDLE BAG

2: Die cut with punch folding without
2: Bolsa de bolsa de sencillo cuchillada



handle bag is a shopping bag
 punched hole for handle at the top
 & top sealing area. with or
 bottom gusset.

la manija de corte fundido es una
 puno punchado y dobles
 superior interior, con/sin
 de fondo.

3



DRAW TAPE BAG

3:Draw tape bag is a garbage bag with a
 roll of narrow plastic film inserted
 automatically into the top folding & top
 sealing area. with or without bottom
 gusset.

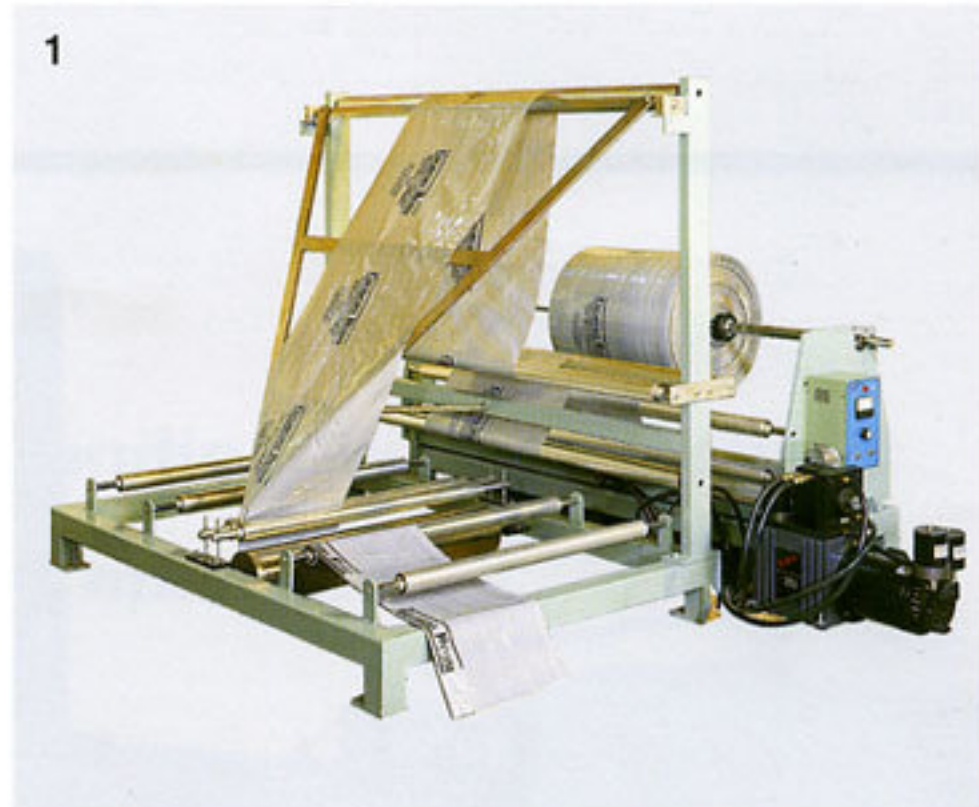
3:Bolsa de manija tiradora de poly es una
 con un rollo de film plástico de cinta
 delgada introducida automáticamente en
 el dobles sencillo en la parte superior
 antes de la formación, con/sin cuchillada
 de fondo.

1 TRIANGLE FOLDING DEVICE (OPTION)

Triangle folding device can be purchased for folding single sheet film to run in-line with the machine. The unwind stand is equipped with E.P.C.(Edge Position Controller) for accurate folding. The unwind stand is also equipped with powder brake. The maximum reel diameter is 70cm. Maximum reel weight is 150kgs.

EL APARATO PLEGABLE

La montura plegable está al servicio de sólo una mortaja. Esto puede rebajarse los cambios de carretes. Y cada carrete del mismo diámetro puede caber más metros. El aparato de desovillarse tiene una guía de borde para plegarse con toda exactitud.

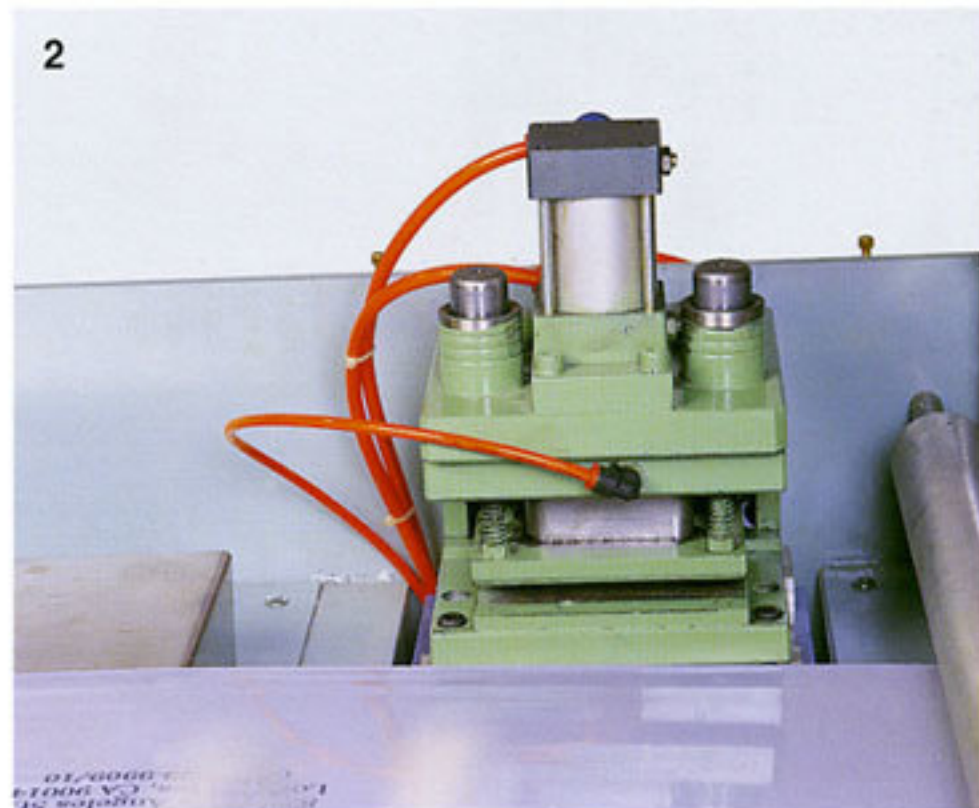


2 HANDLE PUNCHING DEVICE

The pneumatically controlled handle punching device is equipped with knife type cutter which is designed for long duration and easy maintenance.

PONCHADORA DE MANIJA

La ponchadora de manija es neumáticamente controlada, equipada con un cortador tipo cuchilla que fue diseñado para una larga vida y fácil cambio.

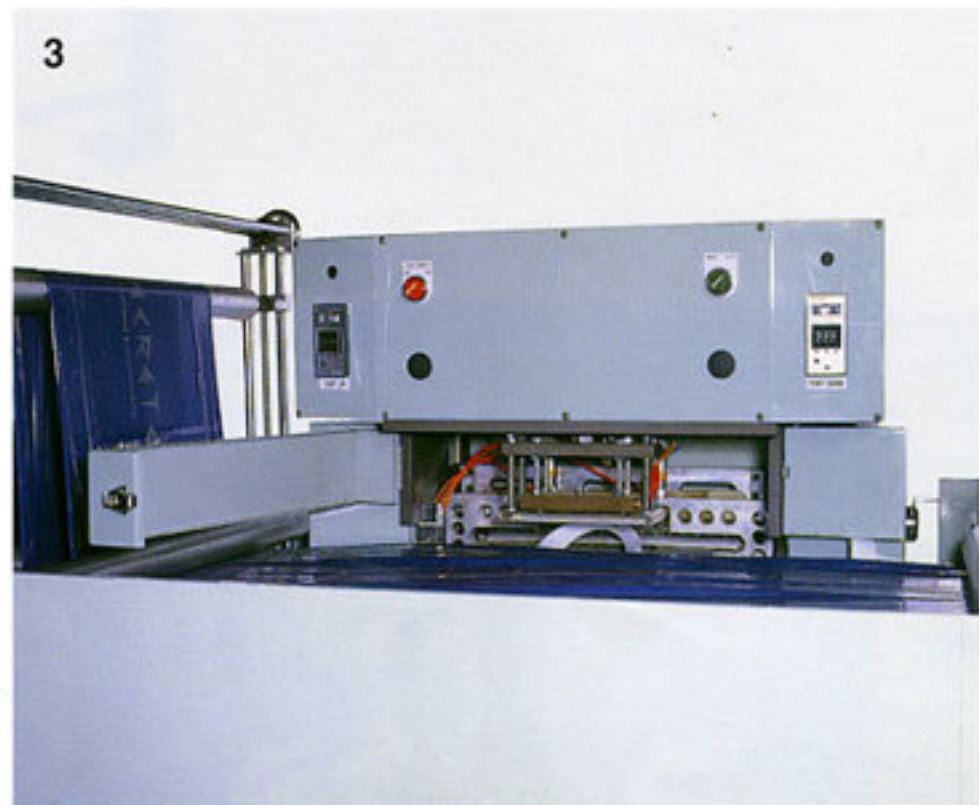


3 THE MANUFACTURE OF LOOP HANDLE SHOPPING BAG

At the rear, one unwind station for the polyethylene handle film, The film width is identical to the loop length. The film is cut into narrow strips, and fed into the top fold. The flexible handle film feeding system is driven by pneumatic control. The roll of film is fed, cut and welded automatically and is precisely positioned to the center of the shopping bag.

MANUFACTURA DE BOLSA MANIJA SUAVE Y DE BOLSA MANIJA TIRADORA DE POLY:

En la parte trasera hay una estación templadora para el film de manija de polietileno. El ancho del film es idéntico al largo de la manija suave. El film es cortado en cintas delgadas e introducido dentro del doble superior. El sistema alimentador del film de manija flexible es neumáticamente controlado. El rollo de film es alimentado, cortado y soldado automáticamente y colocado precisamente en el centro de la bolsa.

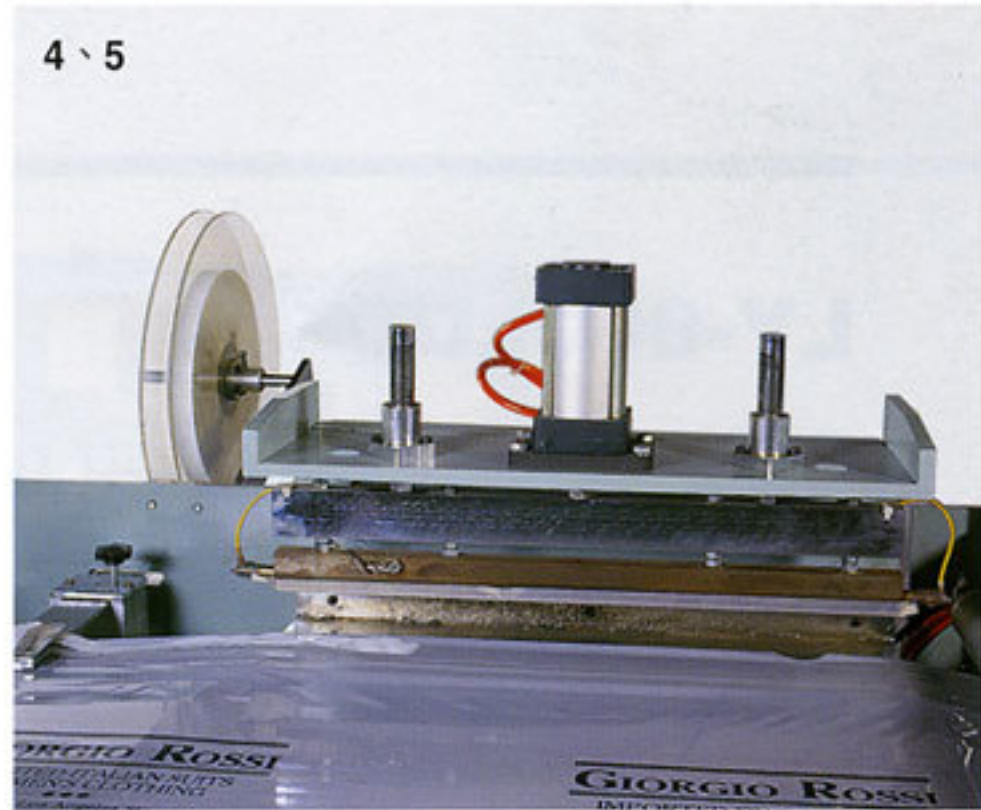


4

THE MANUFACTURE OF THE DRAW TAPE GARBAGE BAGS

The film for the draw tape should be pre-slit by sitting machine and automatically fed into the top folds of the shopping bag by draw tape inserting device.

El film de bolsa manija tiradora debe ser pre-cortado de ancho y automáticamente alimentado dentro del dobles superior de la bolsa mediante una herramienta formadora especial.



5

TOP SEALING DEVICE(LIP SEALING)

Top sealing device consists of two sealing bars, up and down, are both heated and pneumatically moved toward each other in every welding cycle and then separated.

6、7

PHOTO-CELL PRE-HEATING DEVICE

This machine uses photocell for precise control of print image to the side weld. Additional stabilization of the side weld in the area of the bottom gusset and top gusset by the pre-heating device for four layers of film.

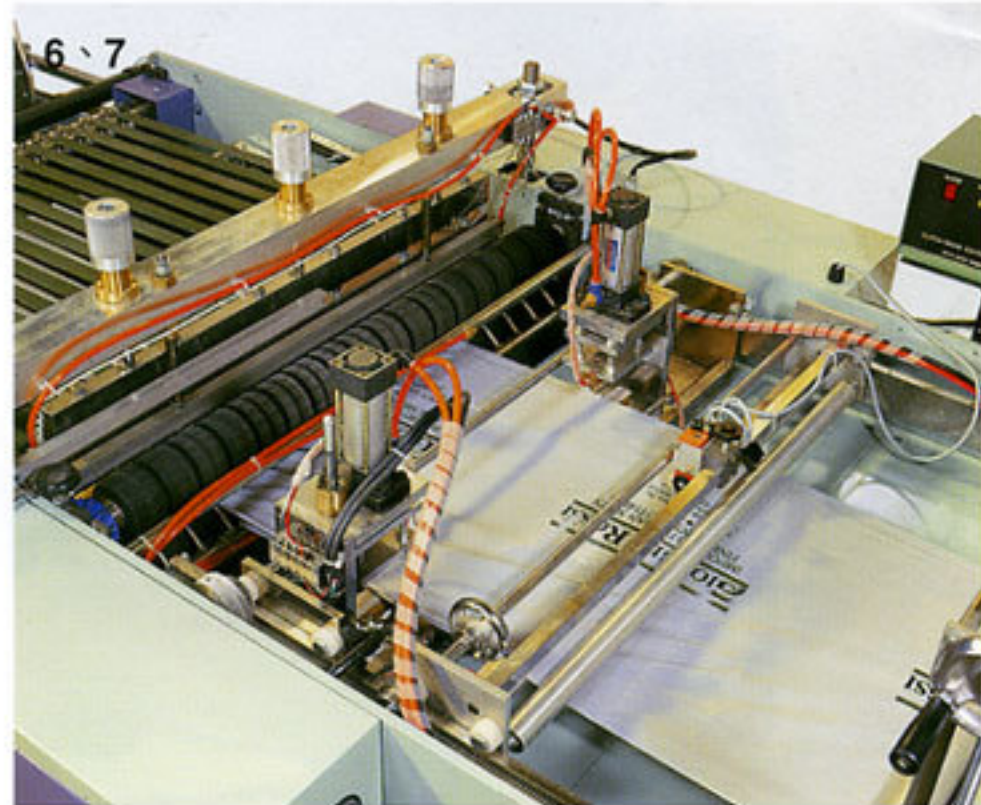


PHOTO-CELL ESTACIÓN DE PRE-CALENTAMIENTO

Además de una estabilización adicional de la soldada lateral en el área del gusset inferior y gusset superior por la estación de pre-sellado para las cuatro láminas de film.

8

SERVO DRIVE SYSTEM(OPTION)

Servo motor is available instead of traditional clutch & brake. Less maintenance & easy bag length adjustment are the benefits of servo motor.

